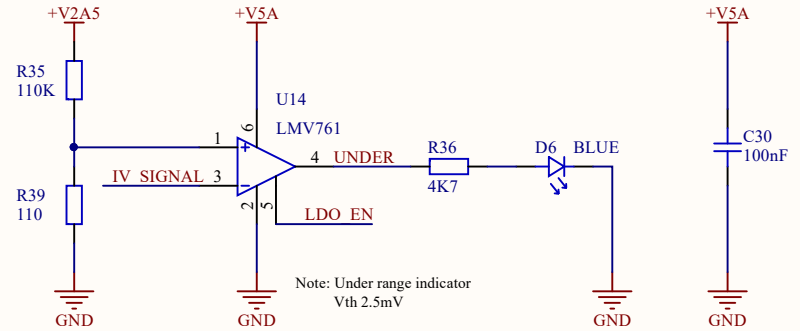
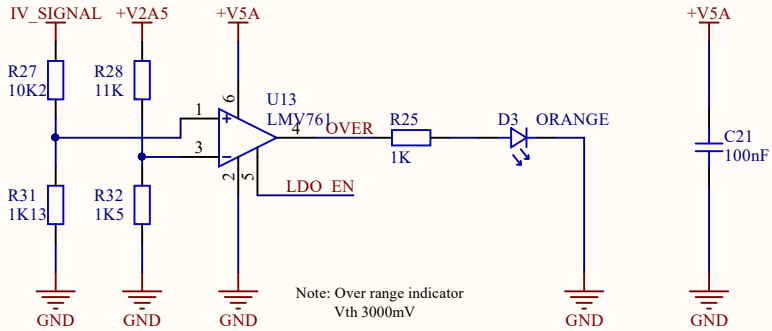
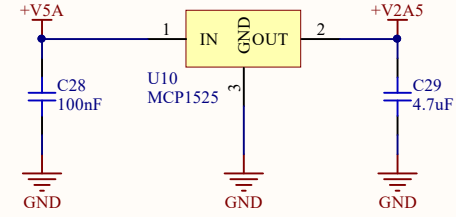
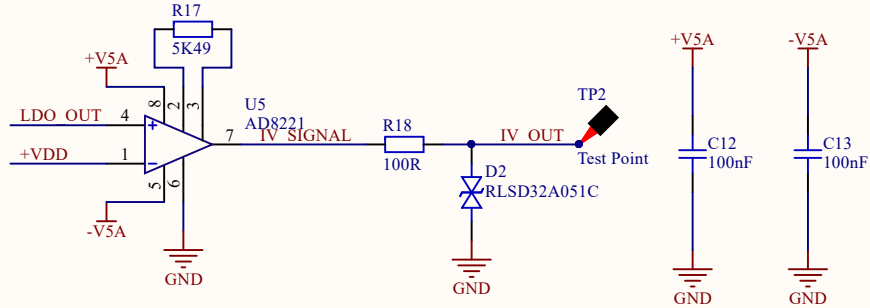
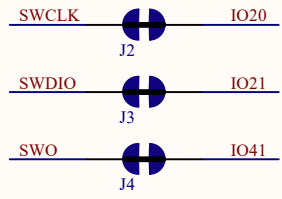
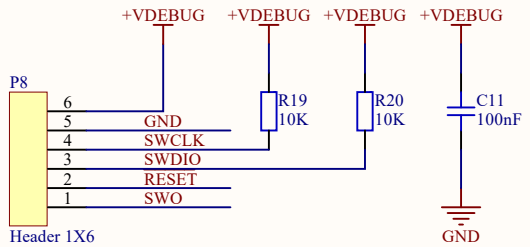
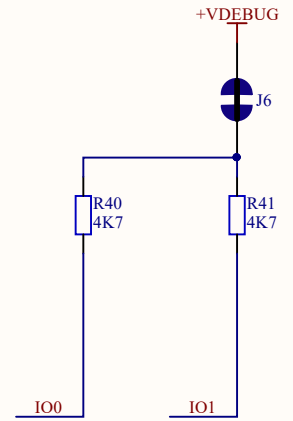
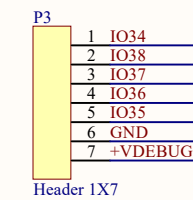
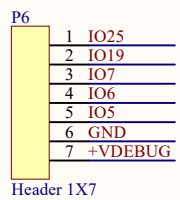
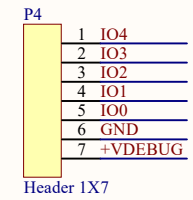
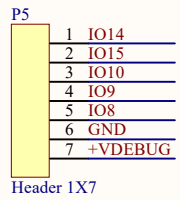
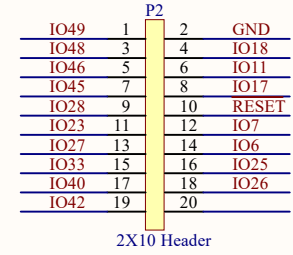
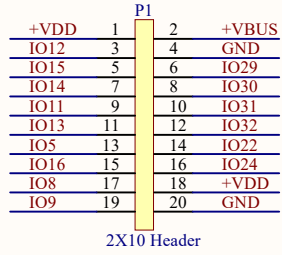
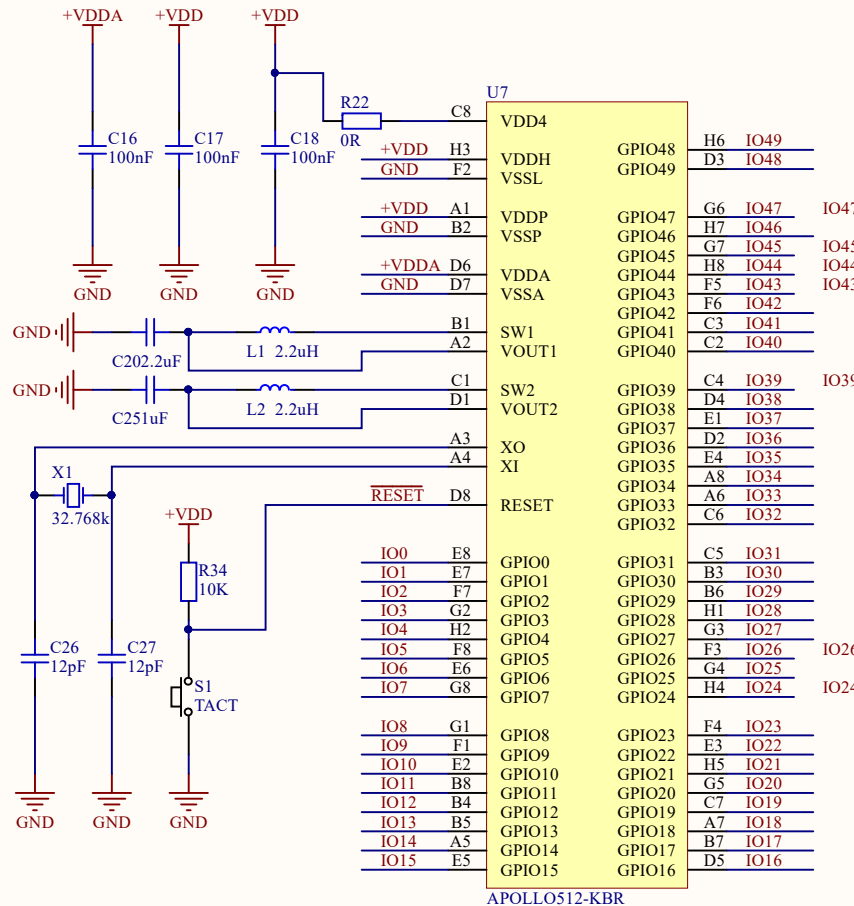


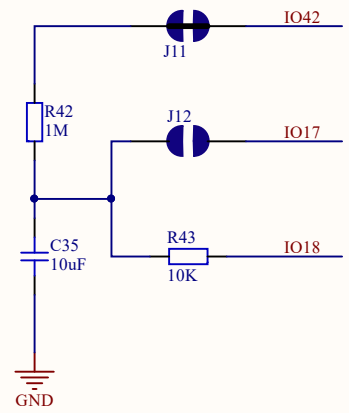
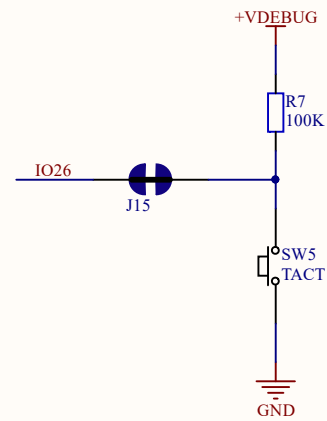
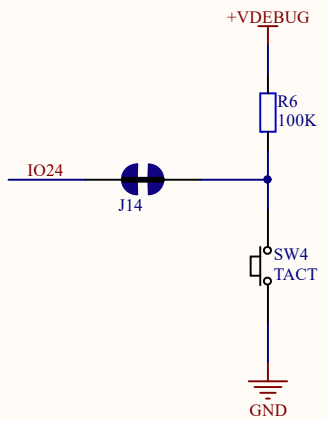
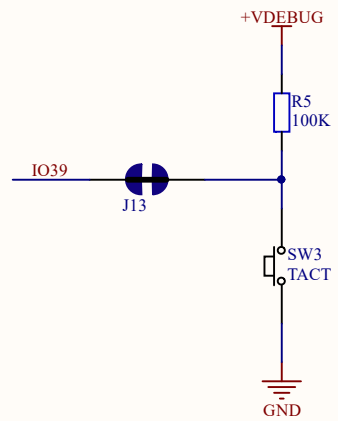
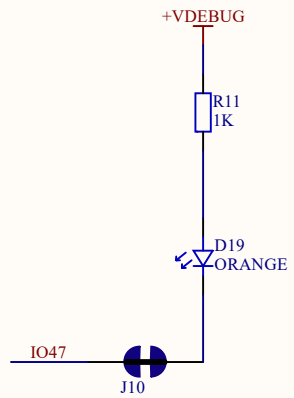
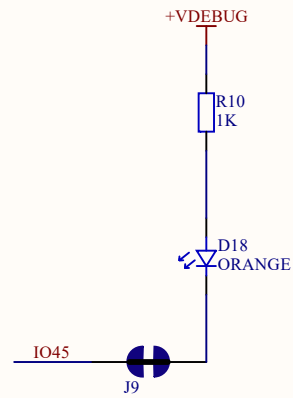
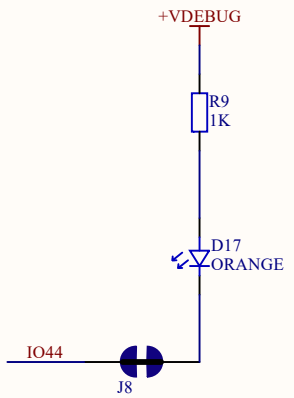
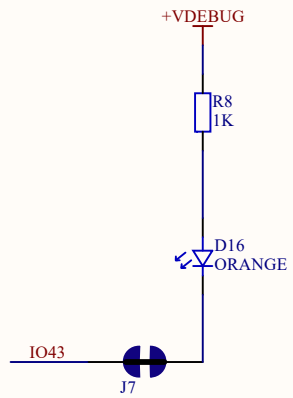
| | | |
|------------------------|---------------------------------------|-----------|
| Title | | |
| Auxiliary Power Supply | | |
| Size | Number | Revision |
| A4 | | |
| Date: | 2016/11/10 | Sheet of |
| File: | D:\SkyDrive\...\AuxiliaryPower.SchDoc | Drawn By: |



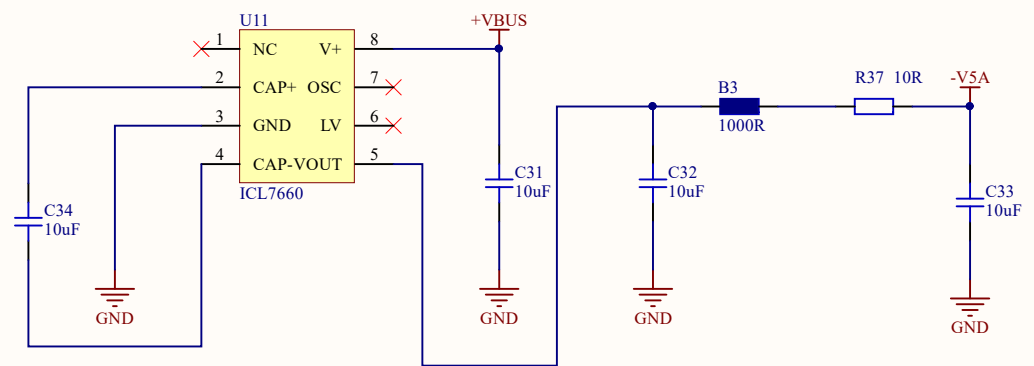
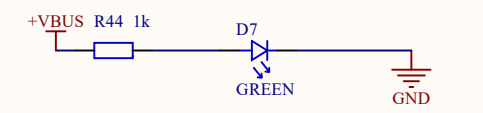
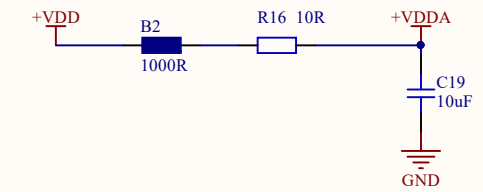
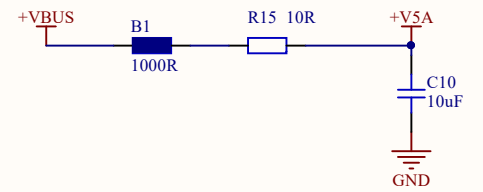
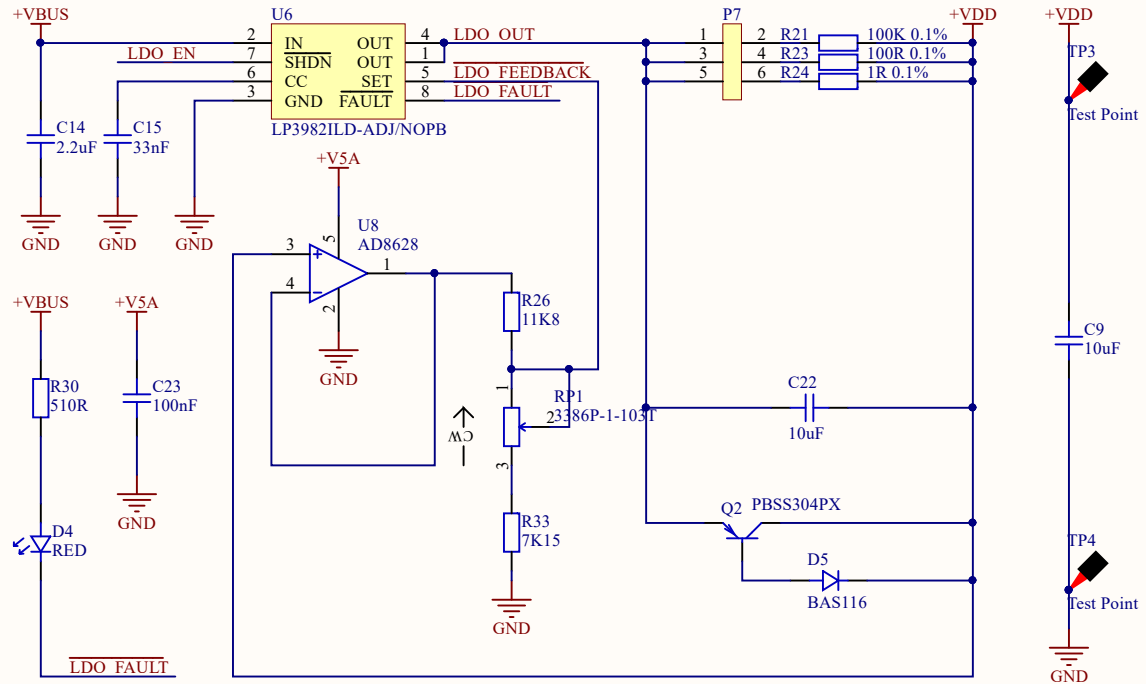
| Title | | |
|---------------|-------------------------------------|-----------|
| Current Meter | | |
| Size | Number | Revision |
| A4 | | |
| Date: | 2016/11/10 | Sheet of |
| File: | D:\SkyDrive\...\CurrentMeter.SchDoc | Drawn By: |



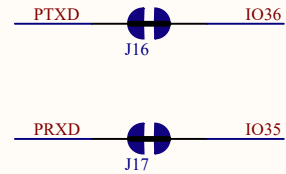
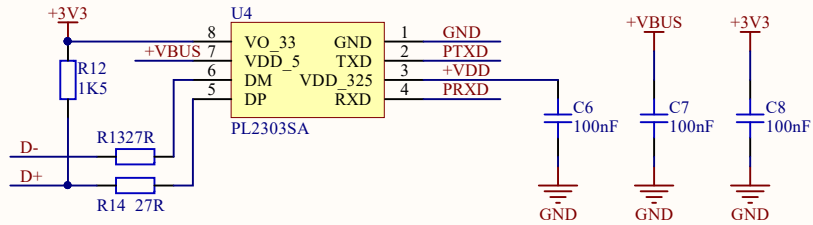
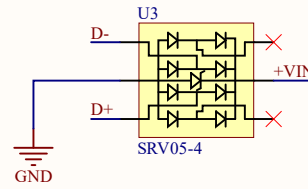
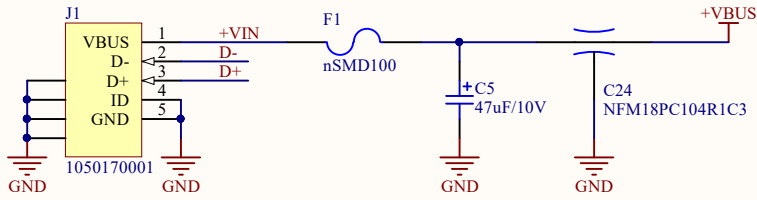
| | | |
|-------|----------------------------|-----------|
| Title | | |
| Size | Number | Revision |
| A4 | | |
| Date: | 2016/11/10 | Sheet of |
| File: | D:\SkyDrive\...\MCU.SchDoc | Drawn By: |



| | | | | | |
|-------|------------------------------------|--|-------------|--|--|
| Title | | | Peripherals | | |
| Size | Number | | Revision | | |
| A4 | | | | | |
| Date: | 2016/11/10 | | Sheet of | | |
| File: | D:\SkyDrive\...\Peripherals.SchDoc | | Drawn By: | | |



| | | |
|----------------------|-------------------------------------|-----------|
| Title | | |
| Primary Power Supply | | |
| Size | Number | Revision |
| A4 | | |
| Date: | 2016/11/10 | Sheet of |
| File: | D:\SkyDrive\...\PrimaryPower.SchDoc | Drawn By: |



| | | | | | |
|-------|----------------------------|--|-----------------|--|--|
| Title | | | USB Peripherals | | |
| Size | Number | | Revision | | |
| A4 | | | | | |
| Date: | 2016/11/10 | | Sheet of | | |
| File: | D:\SkyDrive\...\USB.SchDoc | | Drawn By: | | |